

SAFETY PROTECTION DEVICE RESCUE TRIPOD

MANUAL WINCH

LIGHT WEIGHT, EASY OPERATE
AND COMPACT
HC-551
HC-552



CABLE Ø BREAKING LOAD

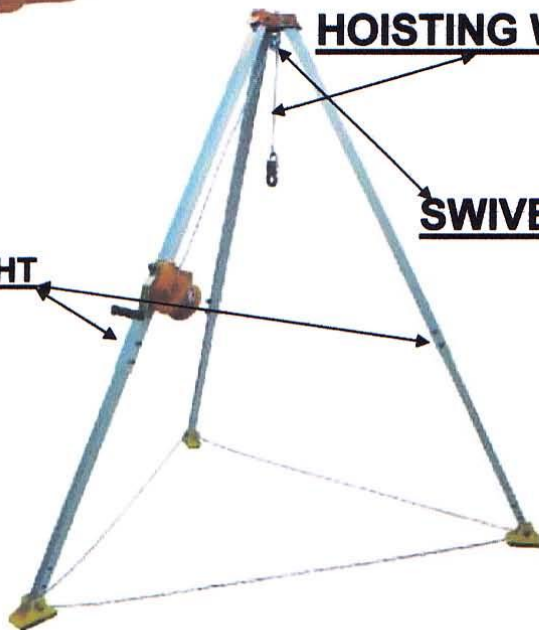
6.3MM 2000KGS



HOISTING WIRE ROPE

SWIVEL PULLEY

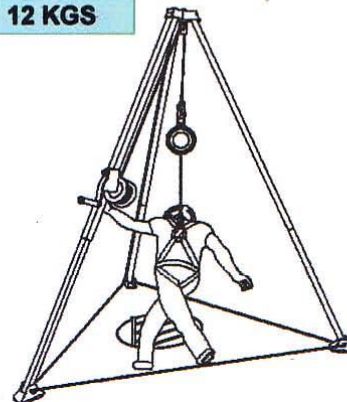
ADJUSTABLE HEIGHT



CONFIDED SPACE RESCUE OPERATION

MODEL	MATERIAL	MAX HEIGHT	SWL	WEIGHT
HC-500	ALUMINIUM	2MTR	160 KGS	12 KGS

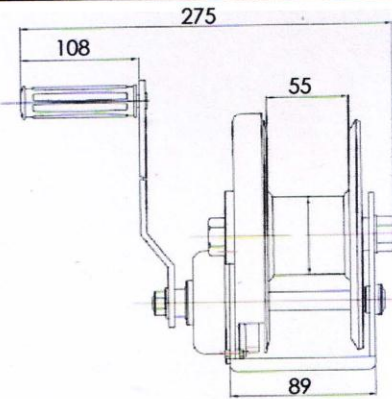
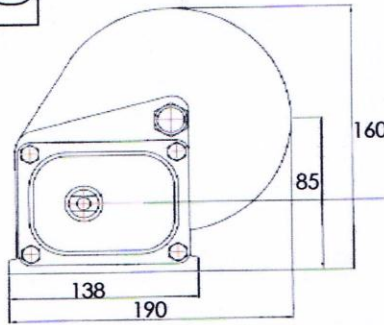
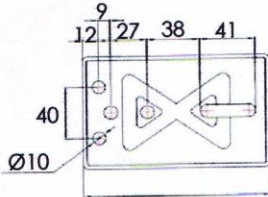
MODEL	CABLE MAX DRUM Mtr	WEIGHT Kgs
HC-551	24	8
HC-552	30	10



SPECTRAMA SPD12

SAFETY PROTECTION DEVICE

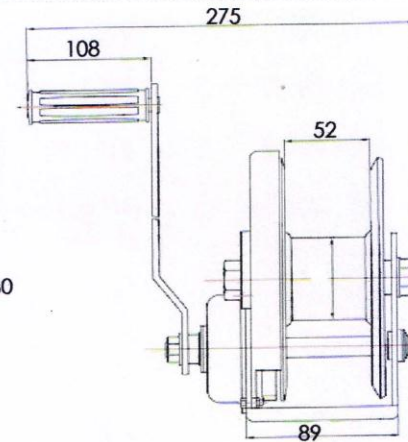
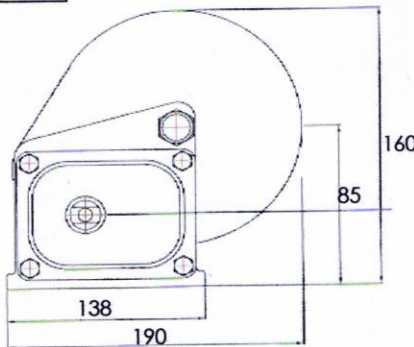
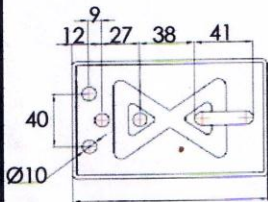
200Kgs



BHW SERIES BRAKE WINCH

- Positive load-actuated brake can hold the load in any position
- Compact, light-weight and rugged construction
- Gears and brake are fully covered to prevent dust, dirt, and rain contamination
- Very low operator effort is required for easy operation
- Universal mounting base
- Baked yellow enamel paint finish for corrosion protection

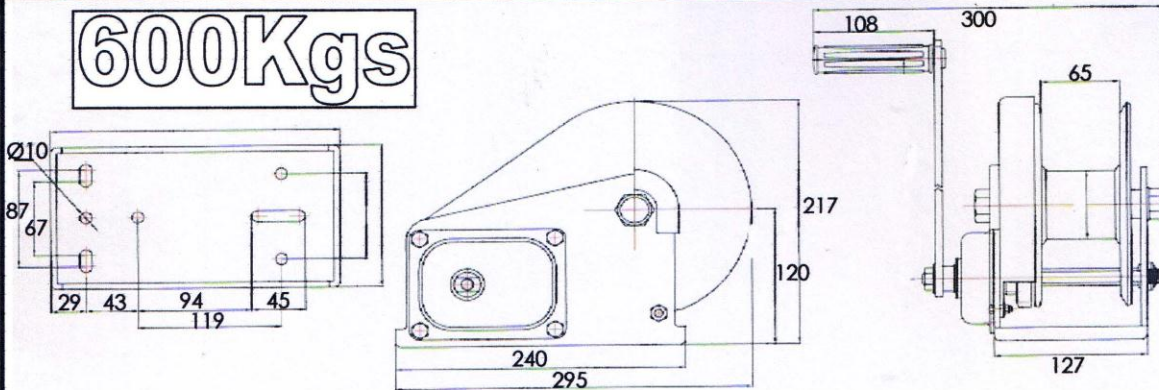
300Kgs



SPD13 **SPECTRAMA**

SAFETY PROTECTION DEVICE

600Kgs

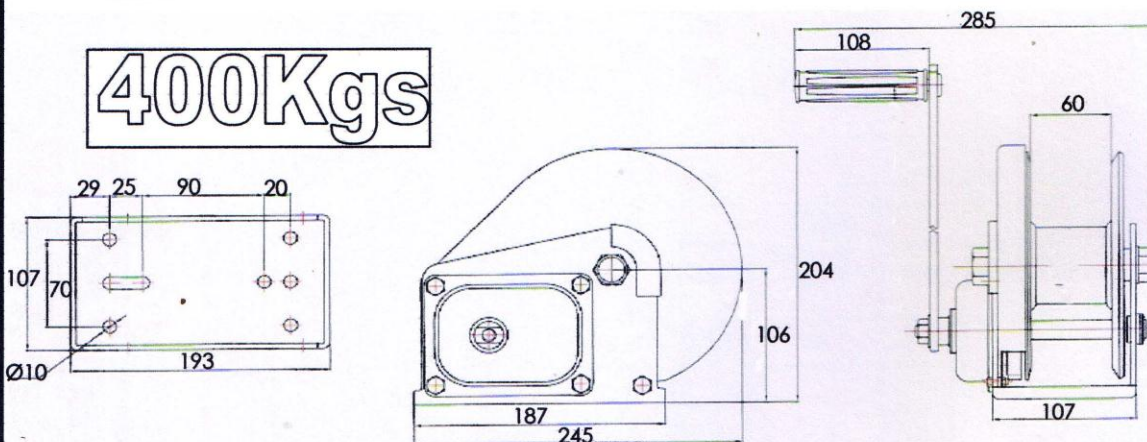


Model	BHW2	BHW3	BHW4	BHW6
WLL (Kgs)	200	300	400	600
Hand Force Required (Kgs)	20	14	22	19
Handle Length (mm)	160	210	320	320
Gear Ratio	4:1	4:1	5:1	10:1
Drum Diameter (mm)	40	50	70	80
Drum Storage (M)	36	23	24	18
wire rope diameter (mm)	4	5	6	8
weight (Kgs)	3	3.3	8	10.3



BHW SERIES BRAKE WINCH

400Kgs



SPECTRAMA SPD14